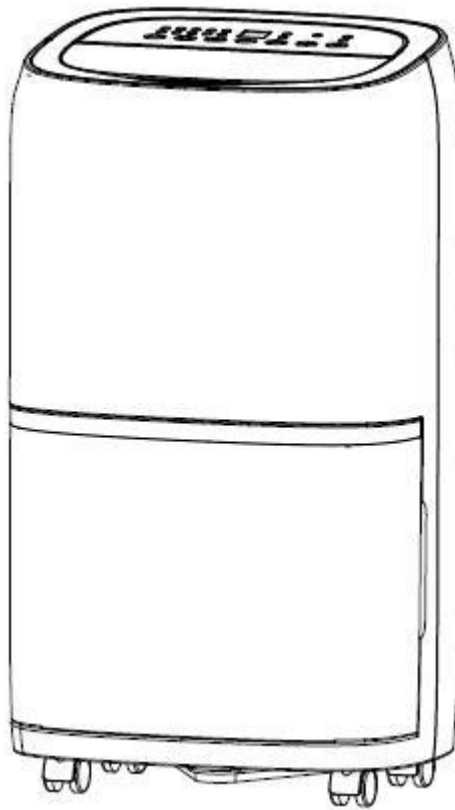


Instruction Manual



OL20-270NR

Please read this manual carefully before use and keep it for further reference.

The dehumidifier removes excess moisture from the air, creating a comfortable

environment for your home and office. Its compact design allows you to move it easily from room to room.

CONTENTS

Important Safety Instructions.....	2
Specification.....	3
Appliance Overview.....	4
Installation and Storage.....	5
Operating Instructions.....	6
Water Drainage.....	8
Cleaning and Maintenance.....	9

Trouble Shooting Guide.....12

Disposal Information.....13

IMPORTANT SAFETYINSTRUCTIONS



Please read the operating instructions carefully before using your dehumidifier for the first time.



Hazardous electric current!

Work on the electrical components must only be carried out by an authorized specialist company!



Hazardous electric current!

Before any work on the device, remove the mains plug from the mains socket!

 **Danger!**

The device is not a toy and does not belong in the hands of children.

 **Danger!**

Do not leave the packaging lying around. Children may use it as a dangerous toy.

 **Caution!**

To avoid damages to the device, never operate the device without an air filter inserted!

1. Install the unit on flat and hard floor to diminish vibration or noise.
2. Never immerse the unit in water or other liquids.
3. Never operate the unit if the cable or other connector is damaged, or something abnormal may happen, please call customer service for help.
4. Disconnect the unit from power supply when it is not in use, or before relocating or cleaning it.
5. Operate the unit only at the voltage specified.
6. The unit is for indoor use only. Don't use it for other purpose.
7. Do not put heavy objects on the appliance.
8. Do not tip the unit to any side as spilt water could damage the appliance.
9. Never insert any other object into the unit body to avoid any hazard or unit failure.
10. Do not put the unit close to heat-generating devices or near flammable and dangerous materials.
11. This appliance is not intended for use by persons (including children) with reduced physical, sensory or lack of experience and knowledge, unless they have been given supervision or instruction concerning use of the appliance by a person responsible for

their safety. Children should be supervised to ensure that they do not play with the appliance.

12. If the supply cord is damaged, it must be replaced by the manufacturer or its service agent or a similarly qualified person in order to avoid a hazard.

13. The appliance must be positioned so that the plug is accessible.

14. The appliance shall be installed in accordance with national wiring regulations.

15. The ambient temperature range for the appliance is 5-35°C.

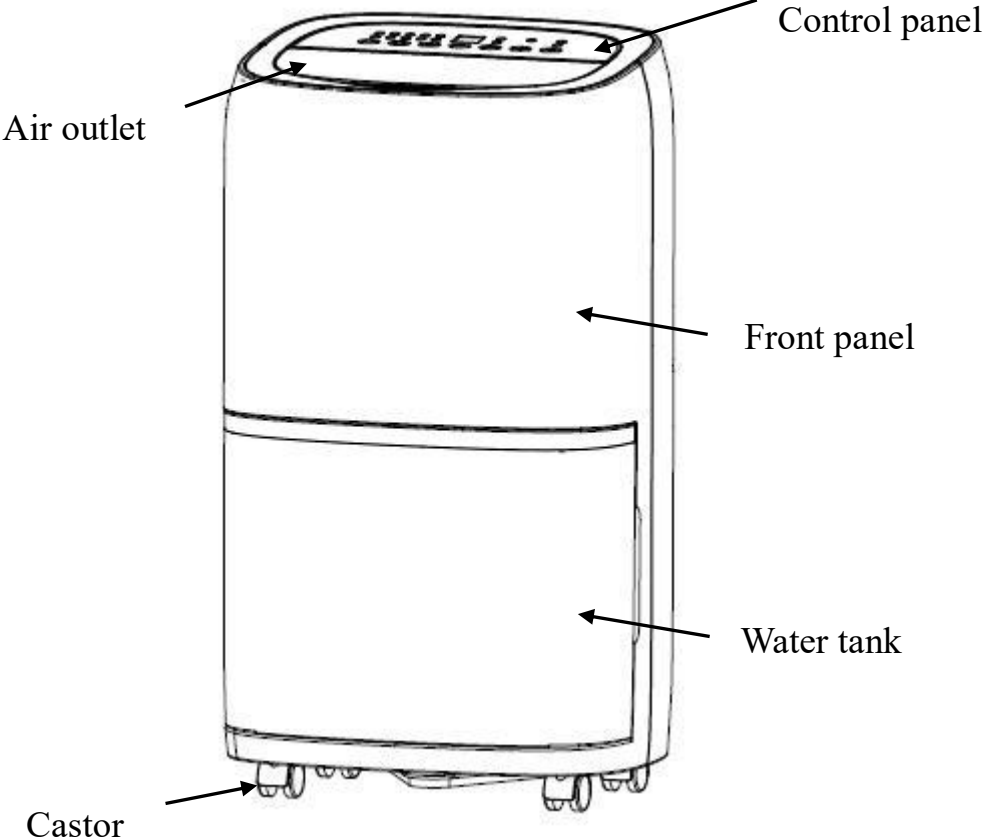


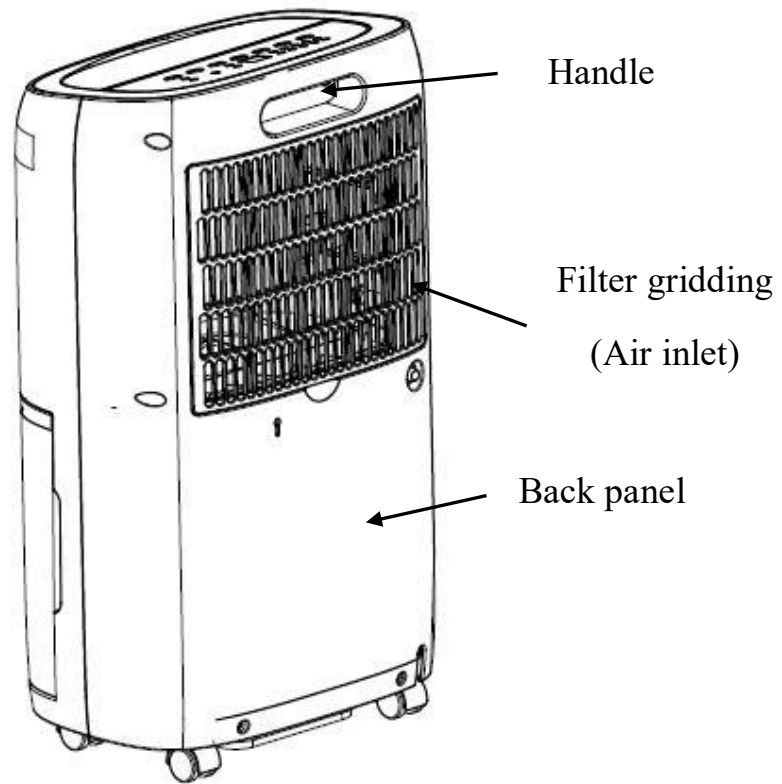
Don't try to repair, dismantle or remold such appliance, or it may make some damage. Even the change of power cord should be done by special qualified person.

SPECIFICATIONS

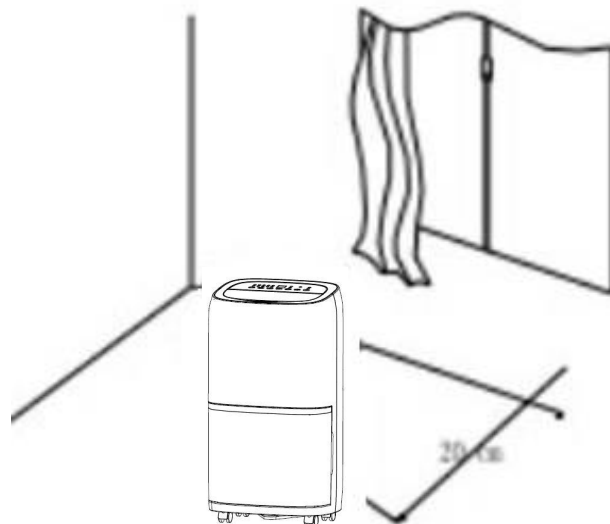
Model	OL20-270NR
Dehumidify Capacity	20 Liters/day (30°C,80%RH)
Supply Voltage	AC 220-240V/50Hz
Rated Input Power	380W (30°C,80%RH)
Rated Input Current	2.1A (30°C,80%RH)
Water Tank Capacity	5.5L
Sound Pressure Level	≤45dB(A)
Refrigerant Charge	R134a/160g
Product Dimension	335*238*594mm
Net Weight	15 kg

APPLIANCE OVERVIEW





INSTALLATION AND STORAGE



Install the unit on hard flat floor, keep the room ventilated. Leave at least 20cm space around the unit before the connection of the drainage hose.

1. Pull the rubber adaptor of the water pipe out from the drainage port of rear panel.
2. Connect the water pipe to bathroom, outdoor or a container, such as bucket.

NOTE:

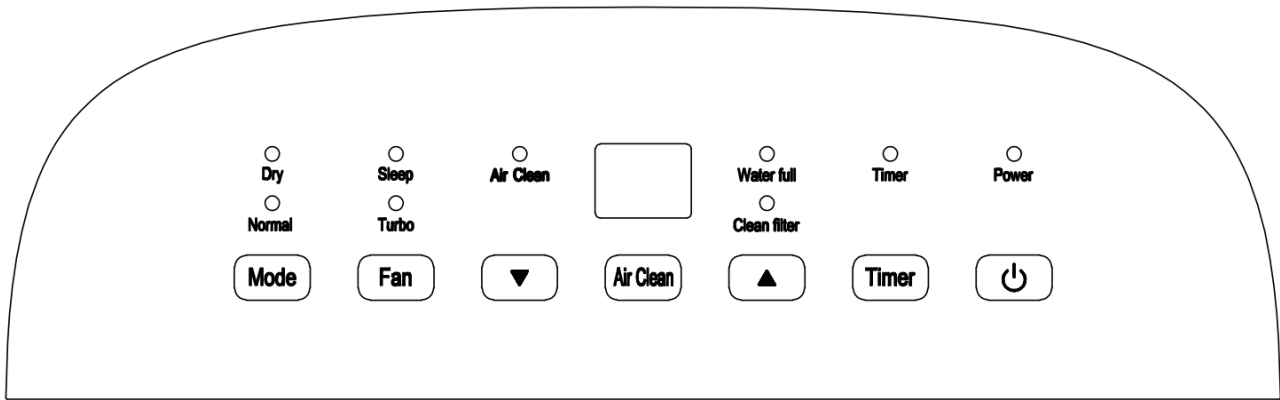
1. Do not block the drainage port or water pipe.
2. Do not fold the water pipe or make it 1.5m higher than the bottom of unit.
3. Do not replace the rubber adaptor of the water pipe, it's the special accessory for the unit only, other adaptor may not fit the unit. If it's damaged or lost, please call the customer service for replacement.

Dehumidifier storage

If the dehumidifier will not be used for an extended period:

1. Drain the water tank completely and make sure no more water stocked inside.
2. Unplug the unit and fold up the power supply cord.
3. Remove and clean the air filter, allow it to dry completely and reinstall it.
4. Store the dehumidifier in a cool, dry location, away from direct sunlight, extreme temperature and excessive dust.

OPERATION INSTRUCTIONS



Instructions of indicator lights



Power indicator: After plugging in, the power indicator will show green ,no matter the machine starts working or not.



Water-full indicator: When water tank is full, it shows red and the unit will buzzing for 20 times. At that time, the machine stops and all the buttons are locked unless users empty the water tank and replace it to machine body



Timer indicator: When timer function is working, the indicator light shows green.



Sleep indicator (Low fan speed): It shows green when the unit is running in low fan speed.



Turbo indicator (High fan speed): It shows green when the unit is running in high fan speed.



Drying clothes indicator: It shows green when the drying clothes function is working. Under that mode, the machine will work

continuously . The fan speed is High fan speed and you can not set the humidity level .



Air cleaning indicator: It shows green when the air clean function is working.



Clean filter indicator: After the accumulated running time reaching over 600 hours, this indicator will show red and the unit will buzzing for 20 times to warn the user to clean the air filter. At that time, all the buttons are locked, the compressor stops and fan closes 60 seconds later. If user wants to cancel the warning, press the power button for 5 seconds, then the fan running time resets to 0.



Display: It has 3 functions as below:

1. When the power is on, it shows the room humidity;
2. When users adjust humidity, it shows the set humidity data;
3. When users set the timer on/off, it shows the timing data.

Instructions of Button Operation:



Power button: Press this button, the machine starts to work. The machine will be in normal mode with default humidity setting of 60%RH and low fan

speed.

Press this button again, the compressor will stop and the fan will be stopped in 60 seconds .



Timer button: Press this button to set timing from 0 to 24 hours in one-hour increments/decrements, along with the Add button and Minus button. When the machine is running, press this button to set the time to turn on the machine; when it is under standby mode, press this button to set the time to turn off . If you want to cancel the timing, press the button until it shows 00 on the display.



Add and



Minus button: (Timing and humidity setting):

The humidity adjustment is only effective under the normal mode. The initial humidity is 60%.

Press these two buttons to programme room humidity from 20% to 80% ,in 5% increments or 5% decrease.



Fan speed button: Press this button to switch low fan speed(sleep) or high fan speed(turbo).



Mode button: Press this button to choose normal or drying clothes mode.



Air clean button:

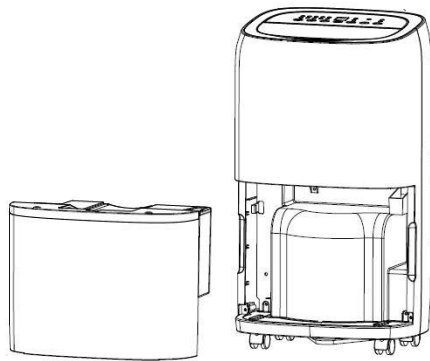
Press this button to turn on / off Ionizer ,which will generate Anion for air clean

WATER DRAINAGE

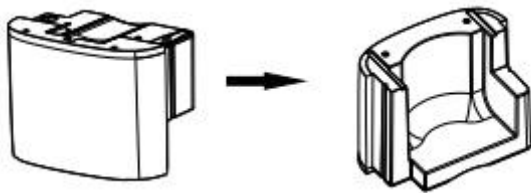
I. Water Tank:

When the water tank is full, the water full indicator shows red to warn that the tank has reached the maximal capacity.

II. How to empty the water tank:

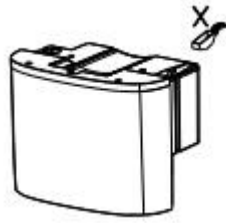


1. Pull the water tank at the back of the machine slightly, the water tank is forced to move out.



2. Empty the water tank.

III.Cautions!

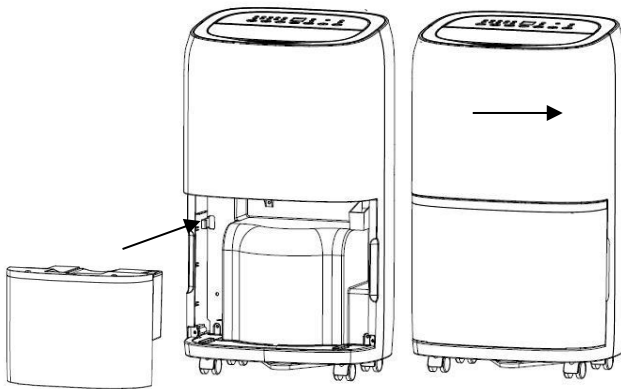


1. Do not remove the float from the water tank; otherwise, the machine will not stop working when the water tank is full. Then the water will be overflow that maybe make damage to your floor.

2. Drain the water completely when water tank is full and reset your setting.

3. If the water tank is dirty, clean it by cool or warm water. Don't use cleaner, steel wool, chemical rag duster, gas oil, benzene, thinner or other solvent to clean it, otherwise, it will damage the water tank and lead to leakage.

4. Please use two hands to put the water tank into the machine correctly, or the water full indicator will still show red and the machine can not work.



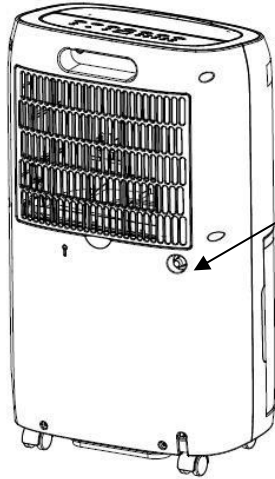
IV. Continuous drainage:

1. Open the cover on the back of the dehumidifier.

2. Take out the water tank

3. Insert a PVC pipe with 9.5mm (inner diameter 9.5mm), and the recommended length is 300mm; put the other side into a container, such as a bucket.

Steps:



Remove the rubber plug of the water outlet ,then insert one end of water pipe into the water outlet, and put the other end of pipe on the ground

Make sure the other end of water pipe must be lower than water outlet



Caution:

- 1. Never block the water outlet or the pipe, water will flow into the water tank if it is blocked.**
- 2. Never bend the drainage pipe and always make sure the water pipe must be lower than the water outlet , or the water will not drained successfully**
- 3. Must block the water outlet by rubber plug if you don't use water pipe for continuous drainage.**

CLEANING AND MAINTENANCE

NOTE:TURN OFF THE UNIT AND UNPLUG IT BEFORE ANY MAINTENANCE OR REPAIR TO AVOID ELECTRIC SHOCKS.

Cleaning:

Unplug the unit before any cleaning. Do not sprinkle water on the unit.

Clean the housing with a soft wet cloth. Do not use chemical solvent such as benzene, alcohol, gasoline, otherwise, the surface may be damaged or even the whole case may

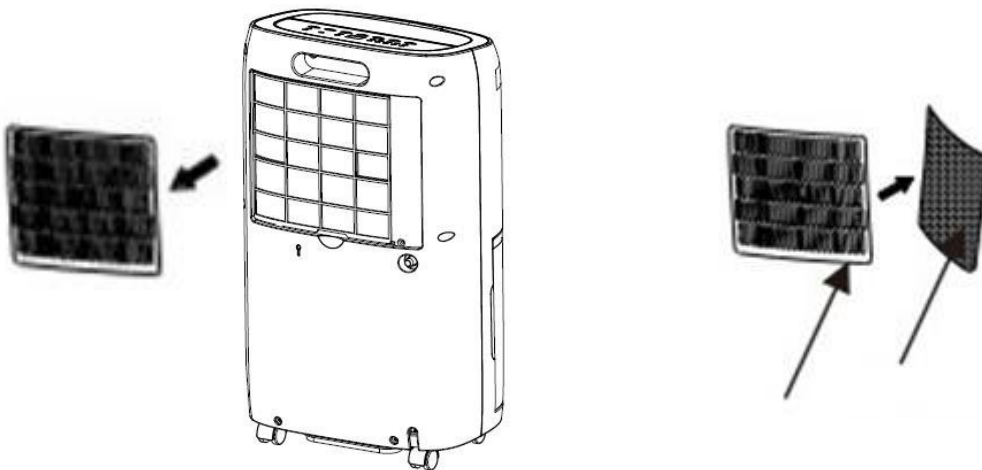
be deformed.

Air filter:

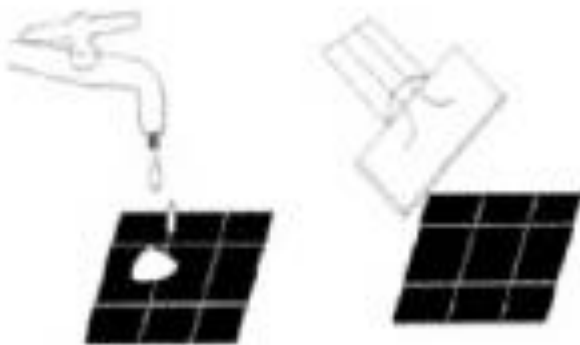
The unit is equipped with washable air filter. Clean the washable filter every 2 weeks. If the filter is blocked with dust, the efficiency will reduce.

How to clean the filter

1. Take out the filter



2. Clean the filter

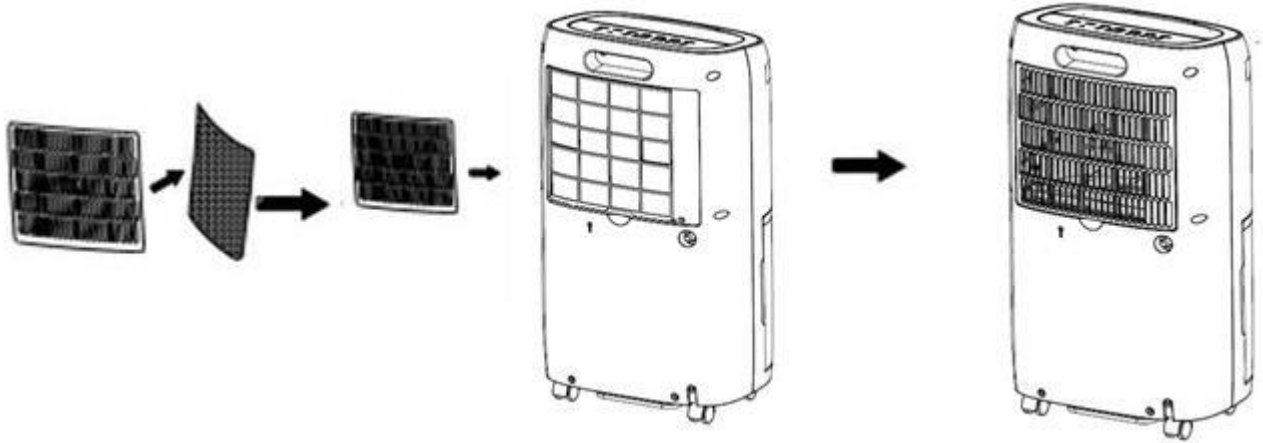


Immerse it gently into warm water (about 40°C) with a neutral detergent and rinse it, then dry it thoroughly in a ventilated place.

Use the vacuum with its brush attachment to remove any dust.

3. Assemble the filter:

Insert the filter back to machine slowly.



TROUBLE SHOOTING GUIDE

BEFORE CALLING FOR SERVICE

This list includes common occurrences that are not the result of a defect in

workmanship or materials.

Problem	Possible Cause	Solution
The unit doesn't work	No power supply	Connect to a power outlet and switch on
	Water full indicator flashes	Drain water tank and reset your setting, or replace the water tank to right place
	Room temperature is under 5°C or above 35°C.	Self-protection is designed to protect the unit, thus it can't work under such temperature
	Timer function is active.	Deactivate Timer function.
	Display shows “E1”	Humidity and Temp. Sensor failure ,Change the sensor
The dehumidify function doesn't work or the unit starts up/shuts down frequently	Is the air filter clogged?	Clean the air filter
	Is the door/window open?	Close the door/window
	Is the unit close to any heat resource?	Remove the unit to a cool place
	Is the intake duct or discharge duct obstructed?	Remove the obstruction from the discharge duct or intake duct.
	Display shows “CL”	Normal status, it indicates Temp. <5°C
	Display shows “CH”	Normal status, it indicates Temp. >35°C
	Display shows “LO”	Normal status, it indicates Humidity <20%
	Display shows “HI”	Normal status, it indicates Humidity >90%
Unit is noisy	Is the unit tilted or unsteady?	Place it on flat ground to achieve less vibration.
	Is the air filter clogged?	Clean the air filter



Cautions:

If the water full indicator often keeps on, there may be some malfunction about the unit. Contact a service professional for help.

If anything abnormal happens, switch off the unit and unplug it immediately, then contact a qualified electrician.

DISPOSAL INFORMATION

Do not dispose of electrical appliances as unsorted municipal waste, use separate collection facilities.

Contact your local government for information regarding the collection systems available.

